

FieldSmart Fiber Distribution System (FDS)

Patch Panels: FDS 144 Port: 6"



INSIDE PLANT

Application

Provides an interconnect or cross-connect environment for up to 144 ports of high-density fiber in central office / headend environments.

Description

The FieldSmart FDS Patch Panel is a high density, low maintenance fiber distribution panel for use in a 23" or 19" frame. Utilizing the Clearview Cassette, FieldSmart FDS Panels are intelligently designed to provide the user with superior fiber access while using craft friendly radius protected fiber management for routing and deploying fiber jumpers in high density applications.

Features & Benefits

Integrity

- RUS listed
- Compliant to Telcordia GR-449, GR-20 and GR-409
- Optical component configurations use GR 1221/1209 compliant devices
- Telcordia 326 compliant terminations
- Supports all industry standard SM/MM connectors

Protection

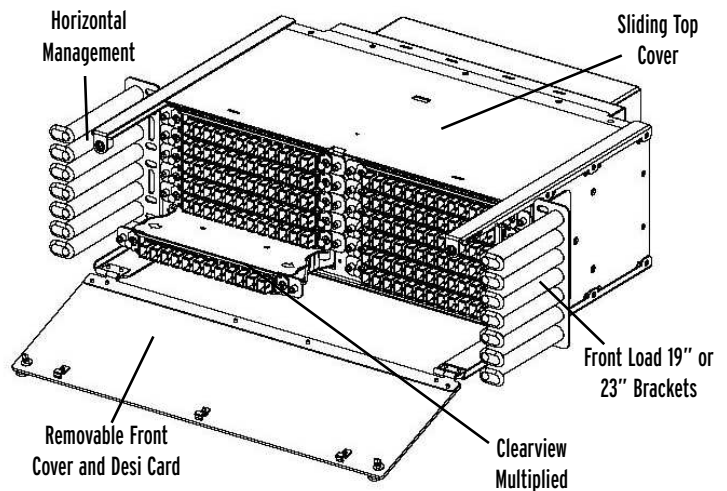
- Ruggedized hinged and removable front cover
- Individual radius fingers provide organized and intuitively managed fiber jumpers and minimize pile-up
- Clearview Cassette houses critical circuits by 12-fiber sub-units or buffer tubes
- Ruggedized cable clamp protects against twisting and pistoning at the assembly breakout point
- Pre-terminated OSP buffer tubes protected with bend-limited tubing and slack stored inside panel for protection against environmental and human damage

Access

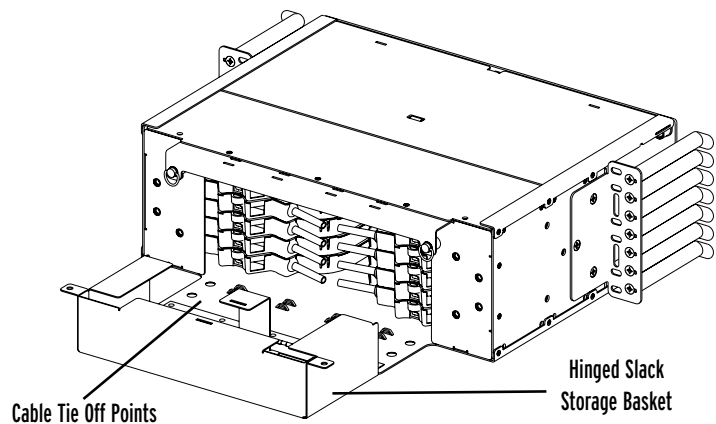
- Front access to pre-terminated assemblies with removable adapter plates for testing, cleaning and maintenance
- Entire 12-fiber Clearview Cassette removable for hot-swap changes
- Front and rear access to panel
- On- or off-frame splicing configurations support cable constructions up to 144-fiber
- Optional interbay management panels enhance fiber jumper routing and excess cable storage capacity

Investment

- Using the Clearview Cassette, all fibers deployed in increments of 12, allowing users to scale from 12 ports to full configuration without additional equipment



FieldSmart FDS 144 -- Front View



FieldSmart FDS 144 -- Rear View

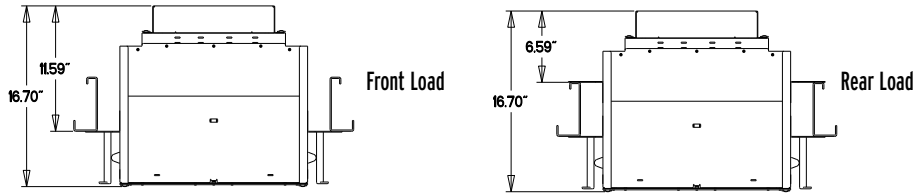


FieldSmart Fiber Distribution System (FDS)

Patch Panels: FDS 144 Port: 6"



Top View

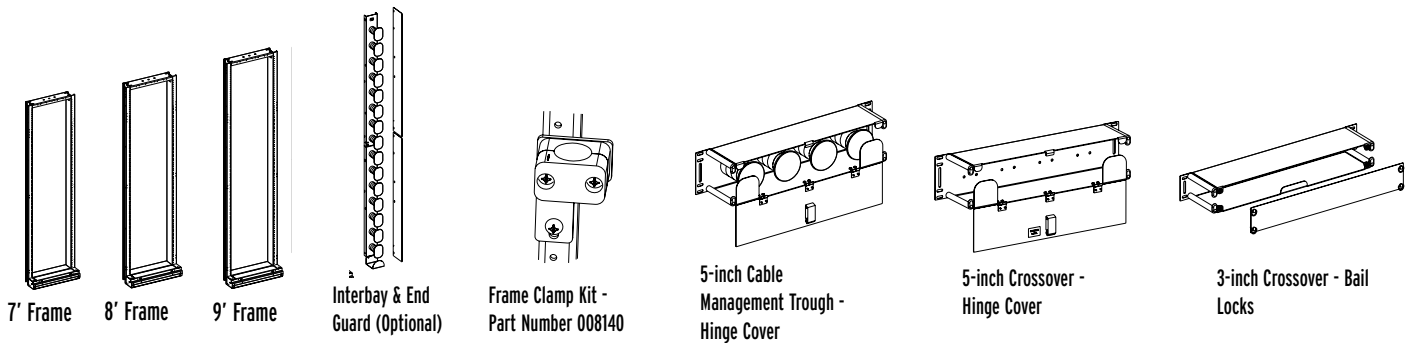


Dimensions/Specifications Frame Density

Max Port Capacity	Height	Width	Length	Recommended Ports per Frame			Maximum Ports per Frame *		
				7 foot	8 foot	9 foot	7 foot	8 foot	9 foot
144	6"	17.5"	16.0"	864	864	864	1584	1872	2016

* Maximum density utilizes SC or LC footprint and two troughs

Accessories



For additional information on frames, see page 24.

For additional information on troughs, see page 25.

Ordering Guide

G **G** - - - - - - - **XXXM or XXXF**

1 2 3 4 5 6 7 8

1 Select frame size

A = 19" frame
B = 23" frame

4 Select Mode / Type

1 = Singlemode - Non-Ribbon
2 = Singlemode - Ribbon
3 = Multimode (62.5) - Non-Ribbon
4 = Multimode (62.5) - Ribbon
5 = Multimode (50) - Non-Ribbon
6 = Multimode (50) - Ribbon
7 = Multimode (50) Laser Opt- Non-Ribbon
8 = Multimode (50) Laser Opt - Ribbon

6 Select panel type

A = Patch Only (1 multifiber cable)
B = Patch & Splice (900um fiber cable)

XXXM or XXXF

XXXF = Length of pigtail in feet
XXXM = Length of pigtail in meters

2 Select port count

X X X = port count in increments of 12

5 Select cable construction

A = Indoor, Riser Rated (IFC)
B = OSP, Riser Rated
C = Indoor, Plenum (IFC)
E = OSP, Non-Rated
F = 900um Tight Buffer (P & S only)

7 Select bracket style

A = Front Load (P & S)
B = Rear Load (Patch Only)

8 Select cable exit *

1 = Top Right
2 = Top Left
3 = Bottom Right
4 = Bottom Left
5 = Top
6 = Bottom
Z = N/A - Use for Patch & Splice

* Cable exit is defined by which direction the cable exits the panel when viewing it from the back.

INSIDE PLANT