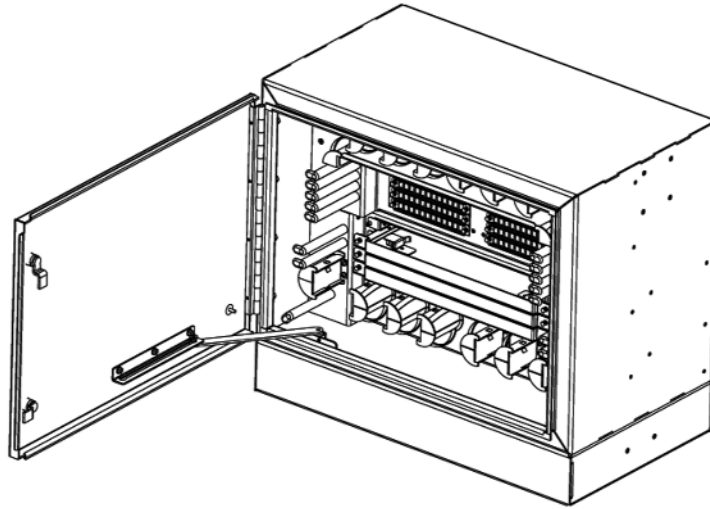


Fiber Scalability Center 96



- Supports up to 96 distribution fibers at a 1:1 split ratio (96 houses reached)
- Supports up to 3 splitter modules
- Connector types: SC, ASC, LC, ALC
- Pad or pole mounting
- Front and rear access
- Dimensions (inches): 28 W x 24 H x 18 D
- Ruggedized construction for harsh OSP environments
- Integrated cable management
- Complete route diversity to eliminate cable congestion
- Modular and scalable for quick-turn up and "grow-as-you-go" philosophy
- Each splitter module supports (1) 1x32, (1) 1x16 or (2) 1x8 splitter modules while maintaining the same maximum fiber count in same footprint
- **"Valet Parking Lot"** - "One-touch" design to eliminate unnecessary handling of fiber jumpers and for quick turn-on of revenue generating lines
- **"Expressway"** - Designated feeder fiber adapters allow for patching splitter input pigtails to feeder fiber port on front of cabinet allowing for greater flexibility in use and easy testing



FSC-

Cabinet Size	Terminated Ports	Patch Only or Patch and Splice	Connector	Distribution Pigtail	Feeder OSP Pigtail (patch only)	Feeder IFC Pigtail (patch and splice)	# of 144 fiber OSP Cables	# of 96 fiber OSP Cables	# of 72 fiber OSP Cables	length for patch only
96	E 0 00	Patch / Splice	A SC UPC 2	IFC for Patch/Splice 0	0	0	0	0	0	0
	12 (p/s only) 01	Patch Only	B SC APC 6	OSP Loose Tube 1	6 Fiber	A 1 cass (12 fibers)	1	1	1	1
	24 (p/s only) 02	Pole Mount Patch Only	C LC UPC 7	OSP Ribbon 2	12 Fiber	B 2 cass (24 fibers)	2			2
	36 (p/s only) 03	Pole Mount Patch & Splice	D LC APC E	Armored Loose Tube 3	12 fibers into cassette	1 3 cass (36 fibers)	3			
	48 (p/s only) 04			Armored Ribbon 4	24 fibers into cassette	2 4 cass (48 fibers)	4			
	72 06				36 fibers into cassette	3				
	96 08				48 fibers into cassette	4				
	132 (p/s only) 11									
	144 12									

For options not listed, call APACN.

Note: a 96 cabinet will only support up to 2 distribution cables



www.apacn.com