

FieldSmart® Fiber Crossover Distribution System (FxDS) On-Frame 6 Drawer Splice Deck



Application

The FxDS On-Frame 6 Drawer Splice Deck is designed for customers who prefer on-frame splicing. It provides 144 loose tube splice capacity or 432 ribbon capacity in a 6" footprint for on-frame splicing applications where a dedicated splice only footprint is desired.

Description

Six slide out drawers providing either 24 loose tube heat shrink fusion (HSF) splices or 72 ribbon splices per drawer. OSP and IFC cables enter through the back of the module into a dynamic slack take-up device and route to splicing area of the drawer. On panel clamping kits come standard with the splice-deck. On-frame clamp kits are also available.



Features and Benefits

Integrity

- RUS listed
- Compliant to Telcordia GR-449
- Industry standard splice tray
- Alternative "low-profile" trays may be substituted for familiarity to splicing technicians

Protection

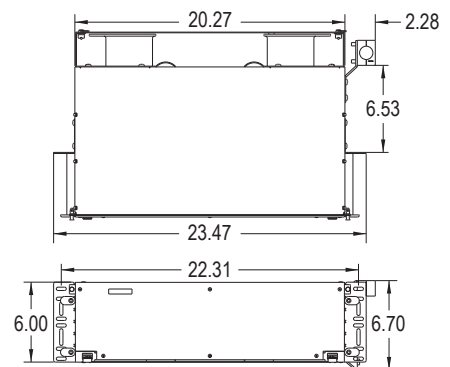
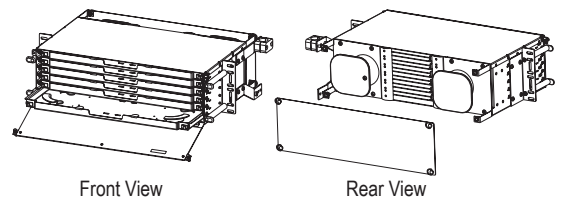
- Patented slack take-up system dynamic ensures that pinch point and slack is adequately stored when drawers are opened and closed
- Full bend-radius protection throughout panel
- Front and rear covers for physical fiber protection

Access

- Slide out drawers provide direct access to route-paths, slack and splice trays
- Rear entry and tie-points to secure incoming cables

Investment

- Supports both loose tube and ribbon constructions
- Segregation using drawer based solution provides ability to add and splice fiber without increased risk to fiber located in other drawers
- Low 6" (152.40 mm) vertical profile allows 432 on-frame splicing to be achieved using FieldSmart FxDS
- Ability to hold 144-loose tube splices or 432 mass fusion ribbon splices in a 6" (152.40 mm) footprint
- Available for 23" (584.20 mm) frames



Technical Specifications

FieldSmart FxDS On-Frame 6 Drawer Splice Deck	
Dimensions	6" H x 20.27" W x 13.88" D (152.40 mm x 514.86 mm x 352.55 mm)
Ratings	Compliant to Telcordia GR-449
Cable Types	Indoor Riser, Indoor Plenum, Indoor/Outdoor, Outdoor (Riser/Non-Rated), Outdoor Armored (Riser/Non-Rated), FieldShield®
Splice Capacity	144 loose tube or 432 mass fusion ribbon splices
Storage Capacity	One meter of 900 μm fiber and five meters of exposed buffer tube
Material	16 gauge cold rolled steel with almond powder coating

Pre-Configured Part Numbers

Part Number	Description
LDH-144-ZZZ	144-fiber loose tube splice capacity
LDM-432-ZZZ	432-ribbon mass fusion splice capacity