

# FieldShield® SmarTerminal

## Patch Only



### Application

From the splitter in an active cabinet or fiber distribution hub, distribution cables can be transported into a consolidated splice point that serves multiple Multiport SmarTerminals each feeding up to eight homes. The pathway from the splice point to the terminal access point is established with a Clearfield® FieldShield Microduct. Once established, a Patch Only Multiport SmarTerminal is placed in the housing of choice at the terminal access point and the pre-determined length of FieldShield Optical Cable is pushed or pulled back to the consolidated splice point.

### Description

The FieldShield Multiport SmarTerminal provides up to eight SC or 16 LC pre-connectorized drop ports with a FieldShield Pushable Feeder Cable built to customer specified lengths. The SmarTerminal can be configured with a factory terminated FieldShield Optical Cable, from two to eight SC or 16 dual LC ports, for the feeder configuration that can be pushed or pulled through FieldShield Microduct to a consolidated splice point in the serving area. Distribution ports are sealed with airtight, water tight caps until service turn-up is required.



### Features and Benefits

#### Integrity

- Compliant to Telcordia GR-3120
- Supports FieldShield pushable SC and LC connectors
- 100% performance tested for insertion loss, return loss and final mechanical inspect

#### Protection

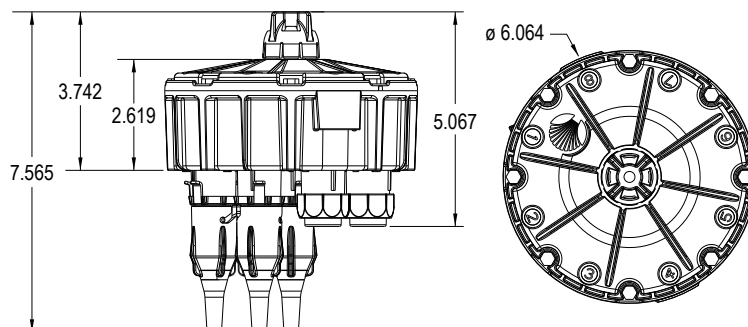
- Optimized for use with FieldShield microduct and pushable fiber
- Black UV resistant thermoplastic designed to resist corrosion
- Environmentally sealed terminal providing maximum reliability and durability in the harshest OSP environments
- Hardened Pushable Connectors provide bend-limiting, strain relief protection for FieldShield Pushable Drop Cables and Feeder Assemblies

#### Access

- Accepts up to 8 SC or 16 LC distribution ports
- Compact sealed design allows placement above or below grade
- Patch and splice configurations accept most Flat Drop and OSP cable types
- Optical component solutions maximize existing architectures and eliminate fiber exhaust scenarios

#### Investment

- Flexibility in configuration provides maximum scalability across multiple services classes
- Field-assembled FieldShield Pushable Drop Cables reduce installation time and labor costs by removing expensive splicing labor from the SmarTerminal to customer premise
- Pre-terminated factory polished feeder and drop cables improve network operability across multiple network access points



# FieldShield® SmarTerminal

## Patch Only



### Technical Specifications

| FieldShield SmarTerminal Patch Only |   |
|-------------------------------------|---|
| Dimensions                          | 4.74" H x 6.06" Diameter  |
| Material                            | Black Thermoplastic   |
| Mounting Methods                    | Snap-on Toggle Head; Universal L-Bracket; Universal Z-Bracket   |
| Mounting Options                    | Below Grade: flower pot or vault<br>Above Grade: cabinet, pedestal, pole mount or aerial/strand mount |
| Internal Slack Storage              | N/A   |
| External Slack Storage              | Virtually unlimited - depends on vault size or mounting application                                   |
| Feeder Ports                        | 1 port in the middle of SmarTerminal - pre-stubbed with pigtail                                       |
| Distribution Ports                  | SC: 2, 4, 6 or 8 ports; LC: 4, 8, 12 or 16 ports  |
| Connector Types                     | SC/APC, SC/UPC, LC/APC, LC/UPC  |

### Configured Part Numbers

F S T -                - Z 1      - Z Z A XXXXM or XXXXF

1    2    3

**1 Select Distribution Port Count**

- 02 = 2 port
- 04 = 4 port
- 06 = 6 port
- 08 = 8 port
- 12 = 12 port (dual LC only)
- 16 = 16 port (dual LC only)

**2 Select Distribution Connector**

- A = SC/UPC
- C = SC/APC
- F = LC/UPC
- H = LC/APC

**3 Select Cable Construction**

- T = Flat drop (non-tonable)
- U = Flat drop (tonable)
- W = FieldShield

**XXXM or XXXF**

- XXXM = Length in meters
- XXXF = Length in feet



SmarTerminal in a FieldSmart Fiber Delivery Point Pedestal

J2Z-000-ZZZ-ZZZ-01 pedestal shown



SmarTerminal in a CraftSmart Fiber Protection Box

FPB-1019 shown