

FieldShield® SmartTerminal

Optical Components



Application

When fiber is already deployed at the network access point, the SmartTerminal can be configured as patch and splice with an unterminated input leg. Simply splice the incoming fiber to the input leg of the splitter to provide service for up to eight customers.

For customers who are experiencing fiber constraints, optical splitters with pre-terminated drop ports can be deployed to split the signal and maximize network performance. The physical architecture and placement of pathways remain largely the same when using the FieldShield Multiport SmartTerminal to service active and distributed split business class services. Flexibility in configuration provides maximum scalability across multiple service classes.

Description

The FieldShield SmartTerminal is available with 1 x 2, 1 x 4, 1 x 8 and 1 x 16 splitters pre-terminated to both the input and output adapter ports. As a result, Multiport SmartTerminals can be fed from the distribution point with a single SC or dual LC pushable assembly and distribute up to eight SC or dual LC pushable drops without any additional splicing.



Features and Benefits

Integrity

- Compliant to Telcordia GR-3120 and GR-1221/1209
- Supports FieldShield Pushable SC and LC Connectors
- 100% performance tested for insertion loss, return loss and final mechanical inspect

Protection

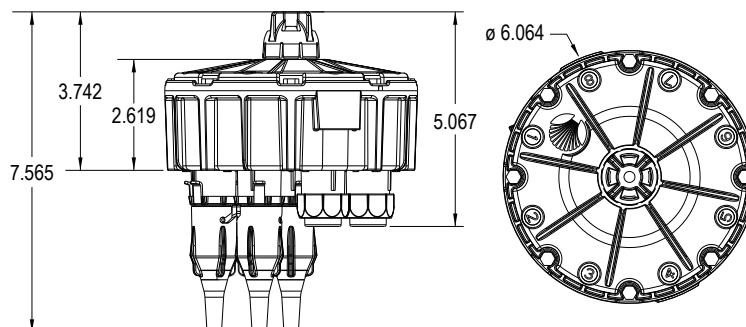
- Optimized for use with FieldShield microduct and pushable fiber
- Black UV resistant thermoplastic designed to resist corrosion
- Environmentally sealed terminal providing maximum reliability and durability in the harshest OSP environments
- Hardened Pushable Connectors provide bend-limiting, strain relief protection for FieldShield Pushable Drop Cables and Feeder Assemblies

Access

- Accepts up to 8 SC or 16 LC distribution ports
- Compact sealed design allows placement above or below grade
- Patch and splice configurations accept most flat drop and OSP cable types
- Optical component solutions maximize existing architectures and eliminate fiber exhaust scenarios

Investment

- Flexibility in configuration provides maximum scalability across multiple services classes
- Field-assembled FieldShield Pushable Drop Cables reduce installation time and labor costs by removing expensive splicing labor from the SmartTerminal to customer premise
- Pre-terminated factory polished feeder and drop cables improve network operability across multiple network access points



FieldShield® SmarTerminal

Optical Components



Technical Specifications

FieldShield SmarTerminal Optical Components	
Dimensions	4.74" H x 6.06" Diameter
Material	Black Thermoplastic
Mounting Methods	Snap-on Toggle Head; Universal L-Bracket; Universal Z-Bracket
Mounting Options	Below Grade: flower pot or vault Above Grade: cabinet, pedestal, pole mount or aerial/strand mount
Internal Slack Storage	N/A
External Slack Storage	Virtually unlimited - depends on vault size or mounting application
Feeder Ports	1 port in the middle of SmarTerminal
Distribution Ports	SC: 2, 4, 6 or 8 ports; LC: 4, 8, 12 or 16 ports
Connector Types	SC/APC, SC/UPC, LC/APC, LC/UPC

Configured Part Numbers

F S T - **-** **Z Z -** **Z A**

1 Select Distribution Port Count

- 02 = 2 port
- 04 = 4 port
- 06 = 6 port
- 08 = 8 port
- 12 = 12 port (dual LC only)
- 16 = 16 port (dual LC only)

2 Select Distribution Connector

- A = SC/UPC
- C = SC/APC
- F = LC/UPC
- H = LC/APC

3 Select Feeder Connector

- A = SC/UPC
- C = SC/APC
- F = LC/UPC
- H = LC/APC
- Z = None

4 Select Split Ratio

- 3 = Dual 1 x 8 (dual LC Only)
- 4 = 1 x 16 (dual LC Only)
- 5 = 1 x 8
- 8 = 1 x 4
- 9 = Dual 1 x 4
- E = 1 x 2
- F = Dual 1 x 2

