

FieldSmart® Fiber Delivery Point (FDP)

Small Wall Box with Factory Installed Cable



Application

Engineered to land small port count fiber terminations and optical components as conveniently as possible, the FieldSmart FDP Small Wall Box is optimized for delivery of a single Clearview® xPAK with up to six fibers. The lockable, NEMA 4 rated enclosure is compact, making it ideal for a variety of applications, including harsh environment locations surrounding fiber demarcation, entrance facilities, FTTP drop boxes and cell backhaul. Additional applications include MDU, business class services, power and wind farms and DOT/Traffic monitoring.

Description

The FieldSmart Small Wall Box was designed for the Clearview xPAK. The Clearview xPAK supports small fiber count scenarios of 2, 4 or 6 fibers in a discrete footprint. A craft-friendly design, using industry standard 216 as a locking method, no special tool is required. Four knockout ports, each supporting a ½ sealcon cable strain relief for incoming or outgoing cables for optimum cable retention. The backplane was designed with 1-inch hole spacing which allows maximum flexibility for mounting cable management rods or any additional hardware needed to support your fibers.



Features and Benefits

Integrity

- RUS listed
- Utilizing the Clearview xPAK, it supports industry standard SC and LC singlemode connectors
- Dual snap locks to ensure lid seals to base
- Mounting hole pattern for multiple applications

Protection

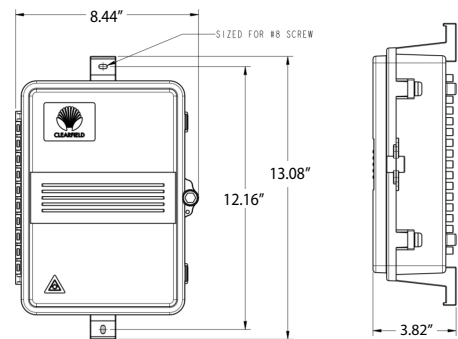
- Radius protected storage for up to 15 feet of buffer tube
- NEMA 4 rated
- Security screw with ability to secure with padlock
- Gasket seal
- Ground lug included

Access

- Small design facilitates ease of use in crowded environments
- Easy to install with both internal and external mounting holes
- Two bottom entry/exit points

Investment

- Patch and splice (Clearfield's in-cassette splicing solution) or patch only
- Surface or pole mount capable
- Flame retardant polycarbonate for durability



FDP-xAK1

FieldSmart® Fiber Delivery Point (FDP)

Small Wall Box with Factory Installed Cable



Technical Specifications

FieldSmart Small Wall Box	
Dimensions	13.08" H x 8.44" W x 3.82 D (332.23 mm x 214.37 mm x 97.02 mm)
Port Density	Up to six ports
Cassette Types Supported	Clearview® xPAK
Connector Types	SC/UPC, SC/APC, LC/UPC, LC/APC, MPO
Cable Types	Indoor Riser, Indoor Plenum, Indoor/Outdoor, Outdoor (Riser/Non-Rated), Outdoor Armored (Riser/Non-Rated), FieldShield®
Splice Capacity	Six splices in each Clearview xPAK
Storage Capacity	One meter of 900 µm fiber and up to 5 meters of jacketed fiber
Material	UV stabilized, flame retardant polycarbonate (PC)

Configured Part Numbers

W R Z - - - Z Z XXXM or XXXF

1
2
3
4
5

1 Select Port Count

002 = 2 port 006 = 6 port
004 = 4 port 012 = 12 port (LC only)

3 Select Mode / Type

1 = Singlemode, non ribbon
2 = Singlemode, ribbon

5 Select Cable Exit *

4 = Bottom left
7 = Bottom right

2 Select Connector Style

A = SC/UPC
C = SC/APC
F = LC/UPC
H = LC/APC

4 Select Cable Construction

A = IFC riser
B = OSP riser rated
C = IFC plenum
E = OSP (non-rated)
M = OSP (armored, non-rated)
T = Flat drop (non-toneable)
W = FieldShield

XXXM or XXXF

XXXM = Length in meters
XXXF = Length in feet

* Cable exit is defined by which direction the cable exits the panel when viewing it from the front.