

# Clearview<sup>®</sup> Cassette

## Clearview Classic



### Application

The Clearview Classic Cassette supports patch only, in-cassette splicing and optical component packaging for all cable constructions and environments. The Clearview Classic Cassette multiplies and scales to meet your port density and application needs. It serves as a multiplier for fiber management solutions, scaling from 12 port wall boxes to 864 cross-connect panels and everything in between.

### Description

The Clearview Classic Cassette is a system of six parts that fully nest together to support any application in the inside or outside plant. Parts are added or removed to support the configuration element desired for the environment into which it is being deployed. All types of fiber construction can be integrated into the cassette. The cassette can support all patch and splice, patch only, passive optical component hardware and plug-and-play scenarios.

The Clearview Classic Cassette is the heart of every product within the FieldSmart<sup>®</sup> fiber management system. With Clearview, the rules of fiber management have changed. No more does the service provider need to consider fiber management within the network layout - it's already built into the solution.



### Features and Benefits

#### Integrity

- Terminations are designed and tested to Telcordia GR-326
- Clearfield<sup>®</sup> FiberDeep<sup>®</sup> Guarantee: 0.2 dB insertion loss or less, exceeding industry standards
- Supports industry standard SC, LC, ST and FC singlemode and multimode connectors
- Supports all fiber construction types (distribution, tight-buffer, loose tube and ribbon)
- Modular and scalable

#### Protection

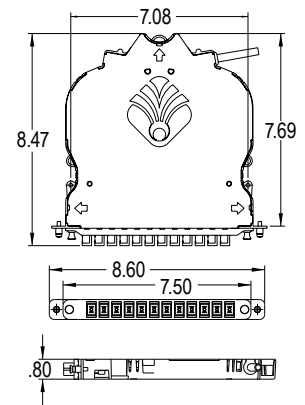
- Designed to handle the toughest operating environments, provides flexibility and reliable performance
- Slack stored, bend-radius protected and secured against accidental physical damage from handling

#### Access

- Tool-less, snap together design makes turn-up time even faster
- Two buffer tube/cable entry/exit paths allow the technician a high degree of flexibility in deployment
- Translucent housing provides quick visual inspection, while removable 12-pack adapter plate allows easy access for maintenance, cleaning and troubleshooting
- Front-access to pre-terminated assemblies with Clearview removable adapter plate

#### Investment

- "Grow-as-you-go"
- Scalable (multiplier of 12) building block to align capital expenditures to customer take rates
- Modular design allows ports to be configured to user-defined application requirements
- Patch and splice integrated splice tray removes need for a separate chassis space or splice enclosure reducing the required real estate



# Clearview<sup>®</sup> Cassette

## Clearview Classic



### Technical Specifications

Clearview Classic Cassette	
Dimensions	0.8" H x 8.6" W x 8.47" D
Ratings	Terminations are designed and tested to Telcordia GR-326; Clearfield <sup>®</sup> FiberDeep <sup>®</sup> Guarantee: 0.2 dB insertion loss or less, exceeding industry standards
Backwards Compatible	N/A
Material	Polycarbonate
Connector Types	Supports industry standard SC, LC, ST, FC and MPO singlemode and multimode connectors
Meters/Feet of Slack Storage	One meter of 250 $\mu$ m used for internal splicing for patch and splice
Mounting Options	Integrated Clearview Mounting Ears

### Pre-Configured Part Numbers

Part Number	Description
EDZ-012-A1F-SUB	FieldSmart loose tube patch and splice Clearview Cassette, FxDS frame system, loaded with SC/UPC adapters, singlemode
EDZ-012-A2F-SUB	FieldSmart ribbon patch and splice Clearview Cassette, FxDS frame system, loaded with SC/UPC adapters, singlemode
EDZ-012-C1F-SUB	FieldSmart loose tube patch and splice Clearview Cassette, FxDS frame system, loaded with SC/APC adapters, singlemode
EDZ-012-C2F-SUB	FieldSmart ribbon patch and splice Clearview Cassette, FxDS frame system, loaded with SC/APC adapters, singlemode
EDZ-012-F1F-SUB	FieldSmart loose tube patch and splice Clearview Cassette, FxDS frame system, loaded with LC/UPC adapters, singlemode
EDZ-012-F2F-SUB	FieldSmart ribbon patch and splice Clearview Cassette, FxDS frame system, loaded with LC/UPC adapters, singlemode
EDZ-012-H1F-SUB	FieldSmart loose tube patch and splice Clearview Cassette, FxDS frame system, loaded with LC/APC adapters, singlemode
EDZ-012-H2F-SUB	FieldSmart ribbon patch and splice Clearview Cassette, FxDS frame system, loaded with LC/APC adapters, singlemode

# Clearview<sup>®</sup> Cassette

## Clearview Classic



### Configured Part Numbers

E - - - - - XXXM or XXXF

1 2 3 4 5 6

**1 Select Cassette Style**

C = Patch only  
D = Patch and splice  
F = MPO breakout

**2 Cable Exit**

R = Right  
L = Left  
Z = None

**3 Select Port Count**

012 = 12

Call Clearfield for ordering any port count above 12

**4 Select Connector Style**

A = SC/UPC      J = FC/UPC  
C = SC/APC      K = FC/APC  
F = LC/UPC      M = ST/UPC  
H = LC/APC

**5 Select Mode / Type**

1 = Singlemode – non-ribbon  
2 = Singlemode – ribbon  
3 = Multimode (62.5)  
5 = Multimode (50)  
7 = Multimode (50) LO – OM3

**6 Select Cable Construction**

A = Indoor riser rated  
B = OSP riser rated  
C = Indoor, plenum rated  
E = OSP (non-rated)  
F = Patch and splice cassettes  
M = OSP (armored)  
W = FieldShield

**XXXM or XXXF**

XXXM = Length in meters  
XXXF = Length in feet

### Configurations



#### Patch Only

Regardless of industry standard adapter style or cable construction, the Clearview Classic handles all patch only applications using the lower tray, bow-tie radius limiter, adapter plate and top cover.



#### Mass Patch and Splice

A splice tray that nests into the lower tray is all that's needed to deliver an integrated patch & splice application. One meter ribbon assembly broke out to 250 µm legs at front of the cassette.



#### Loose Tube Patch and Splice

A splice tray that nests into the lower tray is all that's needed to deliver an integrated patch & splice application. Up to two meters of 250 µm assemblies are pre-terminated, pre-loaded and slack stored inside the cassette for splicing to outside plant.



#### Optical Components

Clearview integrates optical components into the identical cassette, allowing service providers to mix and match fiber modules with optical components in the same chassis.



#### Plug and Play

MPO to 12-fiber 900 µm assembly allows for plug-and-play by mating MPO to MPO with pre-terminated multi-fiber OSP or IFC. The standard version comes with MPO male in the cassette.



#### MPO Adapter Plate

MPO Adapter Plate - LC/SC front input to 8-fiber MPO output allow for 1 x 16 or 1 x 32 splitting in a single cassette.