

1/2-6 X 4 [102] LONG S.S. HEX  
HEAD AUGER BOLT (6 PLACES)

ø1/2 [13] FLAT WASHER  
6 PLACES

6X ø5/8 [16] THRU W/ ø1 1/4  
[32] X 1/2 [13] DP C'BORE

SKID RESISTANT  
SURFACE MS-86

SEE DETAIL 1

PG4872H528

QUAZITE LOGO

1/2 [13] X 4 [102] PULL  
SLOT W/ ø1/4 [6] PIN (4 PLACES)

CABLE RACK HOOK  
GS 10 [254]  
6 PLACES

1/2-6 SELF ALIGNING,  
REPLACEABLE S.S. EZ-NUT  
6 PLACES

W6 X 12 BEAM  
2 PLACES

78 5/8  
[1997]

4X 8 1/2  
[216]

54 5/8  
[1387]

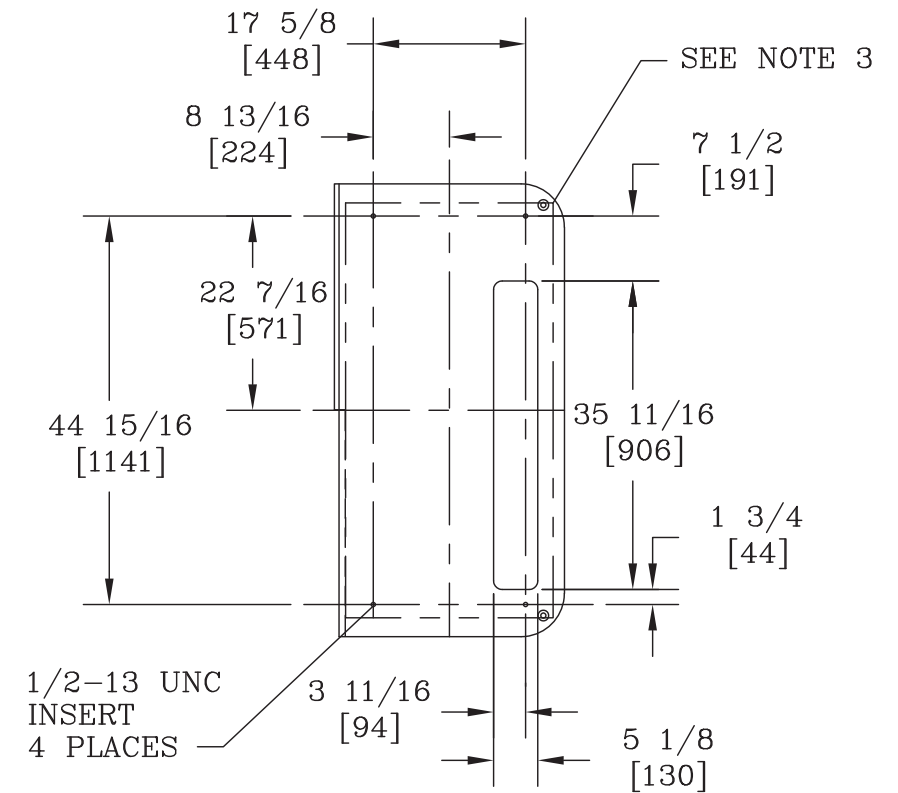
4X 23  
[584]

37 1/2  
[953]

24 [610] CABLE RACK  
(6) 3 EACH SIDE

PG4872B732

1/2-13 UNC  
LIFTING BOLT  
4 PLACES



DETAIL 1

NOTES:

- LOGO TO BE SPECIFIED: \_\_\_\_\_
- TWO COVERS OF THIS ASSEMBLY ARE RATED FOR A STATIC DESIGN LOAD OF 15,000 LBS. [66,720 N] OVER A 10 [254] X 10 [254] AREA AND MUST PASS A MIN. STATIC TEST LOAD OF 22,500 LBS. [100,085 N]. THE COVER WITH THE THROAT IN IT IS RATED FOR PEDESTRIAN TRAFFIC ONLY.
- FITS CALIX ODC-200 CABINET



**CLEARFIELD**

**V200-487236**

PC VAULT AND LID, ODC 200 – FAC 900, 48 X 72 X 36