

FieldSmart® Fiber Distribution Hub (FDH)

432 and 864-Port Cross-Connect Cabinet

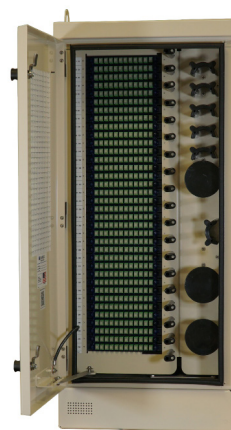


Application

The FieldSmart FDH Cross-Connect Cabinet is the complete solution for managing up to 864 fibers in most any feeder/distribution ratio for an outside plant FTTx application. This solution provides an interconnect environment from the feeder network and the distribution field in a FTTH network.

Description

With the Clearview® Cassette as its foundation, the FieldSmart FDH Cross-Connect Cabinet uses the same components as the FieldSmart Fiber Crossover Distribution System (FxDS) deployed in the central office. This enables service providers to standardize on a single building block, allowing them to stock a single fiber management component for either environment. Technicians also have the ease of working with a single fiber architecture for central office or outside plant deployment - saving training and installation time. Using Clearview, FieldSmart changes the rules of fiber management. Optimal access is ensured to all ports and superior fiber protection is integrated within the Clearview Cassette. Through the incremental design of the Clearview Cassette, user capacity can be scaled from as few as 12 ports to the maximum configuration of the cabinet, allowing the service provider to align the investment in capital equipment to the turn-up of revenue-generating circuits. Further, labor and other field costs are minimized through this craft-friendly layout.



The FieldSmart FDH Cross Connect Cabinet family incorporates a new pyramid shaped roof/solar shield and a reusable/replaceable venting feature, providing additional protection for deployed fiber. Mounting options include pad, pole or vault mounted with either a 4" or 12" riser. An optional exterior ground box is also available.

Features and Benefits

Integrity

- Terminations designed, tested and certified to Telcordia GR-326
- Clearfield® FiberDeep® Guarantee: 0.2 dB insertion loss or less, exceeding industry standards
- Designed to comply to Telcordia GR-20, GR-409, GR-487 and GR-3125
- Constructed with 0.090 (3.175 mm) aluminum
- Powder coated for additional protection
- 300 series stainless steel fasteners used on all cabinets
- Optional 4" and 12" risers, can be stacked to raise cabinet if required

Protection

- 12-fiber Clearview Cassette protects fiber from environmental and human factors
- Rugged cable clamps protect the OSP cable breakouts from twisting and pistoning
- Patch only buffer tubes are fully protected with ruggedized, bend-limiting tubing
- Snake skin sleeving provides additional buffer tube slack storage protection and manageability for patch and splice (Clearfield's in-cassette splicing solution) configurations
- Pyramid roof and venting provide additional protection in all environments

Access

- Clearview Cassette allows for quick visual troubleshooting without opening cassette
- Front access to pre-terminated assemblies with Clearview removable adapter plate
- Two captive fasteners for quick removal of individual cassettes for trouble shooting, splicing or replacing
- Front and rear access doors
- Bottom exit/entrance for fiber cables

Investment

- Fiber is deployed in increments of 12, providing the users the ability to scale from 12 ports to full capacity, aligning capital investment with network layout or subscriber revenue
- Express ports allow for extensions or parallel networks through the cabinet
- Patch and splice configurations eliminate costs associated with additional hand-holes and splice cases

FieldSmart® Fiber Distribution Hub (FDH)

432 and 864-Port Cross-Connect Cabinet



Technical Specifications

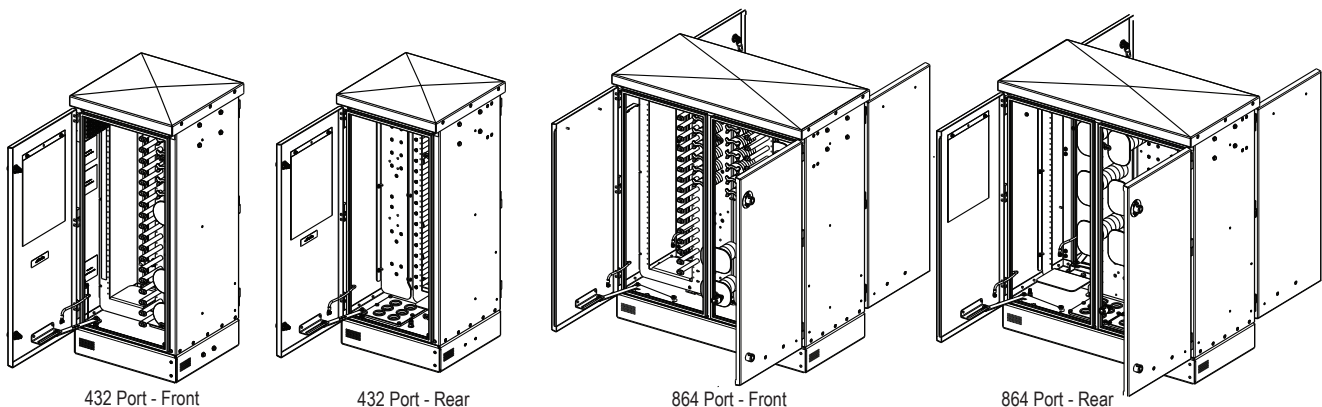
FieldSmart FDH Cross-Connect	432 Port	864 Port
Cabinet Dimensions (Without Riser)	35.11" H x 18.5" W x 16.98" D (891.79 mm x 469.90 mm x 431.29 mm)	35.11" H x 33.20" W x 18.47" D (891.79 mm x 843.28 mm x 469.14 mm)
Weight (Without Riser)	54 lbs (24.49 kg)	86 lbs (39.01 kg)
Port Density	432	864
Max. Feeder/Express Ports	48	96
Cables Entrances	6	12
Mounting Options (Hoist kits included with each cabinet)	Vault mount; pole mount; pad mount	Vault mount; pad mount
Standard Riser Base	4"; 6 lbs (101.60 mm; 2.72 kg)	4"; 8 lbs (101.60 mm; 3.63 kg)
Optional Riser Base	12"; 12 lbs (304.80 mm; 5.44 kg)	12"; 20 lbs (304.80 mm; 9.07 kg)
Cassette Types Supported	Clearview® Blue	
Connector Types	SC/UPC, SC/APC, LC/UPC, LC/APC	
Cable Types	Indoor/Outdoor, Outdoor, Outdoor Armored, Ribbon and Loose Tube	
Door Locks	2 per door	
Venting	Built-in Replaceable Roof Vent	
Splice Capacity	12 Splices in Each Clearview Cassette	
Recommended Jumper Length	2 meters	
Material	0.900 (2.286 mm) aluminum with almond powder coating	

Accessories

- Risers: 4" and 12" (101.60 mm or 304.80 mm)
- Exterior Ground Box - Available with 12" Riser Only, Located in Riser
- Mid-Span/Feed-Through Plate Kit
- Pole Mount Kits
- GoreTex Filter Replacement - 020800



GoreTex Filter - 020800



FieldSmart® Fiber Distribution Hub (FDH)

432 and 864-Port Cross-Connect Cabinet

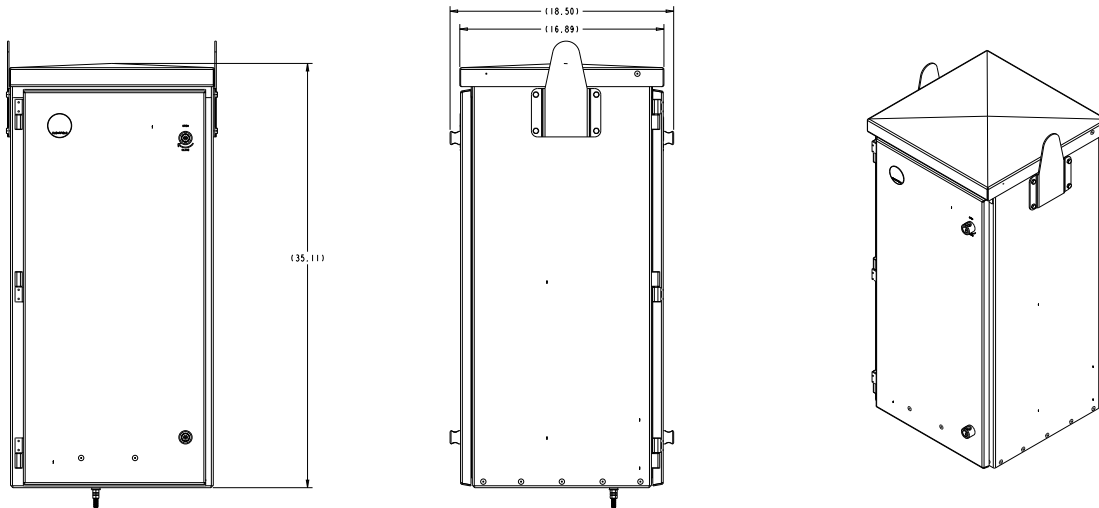


Configured Part Numbers - 432 Port

Disclaimer/Note: Paper configurator shown is for reference only and should not be used to configure a saleable product configuration. All options shown on paper configurators may not be available or compatible with other options listed. Please contact your Clearfield representative for assistance in product configurations.

R - _____ - _____ - _____ - _____ - _____ - _____ - _____ - _____ - _____ - _____ - _____ - _____ - _____ - _____ - _____

1	2	3	4	5	6	7	8	9	10	11	12	13	14	15
<p>1 Select Cabinet Housing Size M = 432 Cross-Connect</p>	<p>2 Select Cabinet Riser/Mounting A = 4" B = 12" D = Pole Mount with 4" Riser Z = No Riser</p>	<p>3 Select Connector A = SC/UPC C = SC/APC F = LC/UPC DX H = LC/APC DX</p>	<p>4 Select Mode / Type 1 = Singlemode – Non-Ribbon 2 = Singlemode – Ribbon</p>	<p>5 Select Jacket Construction B = OSP Riser E = OSP, Non-Rated F = Patch and Splice M = OSP Armored, Non-Rated</p>	<p>6 Select Feeder Count XXX = port count in increments of 12</p>	<p>7 Select Qty. of 288/216 Fiber OSP Cables 0 = 0 1 = 1-288</p>	<p>8 Select Qty. of 144 Fiber Feeder OSP Cables 0 = 0 1 = 1</p>	<p>9 Select Qty. of 96/72 Fiber Feeder OSP Cables 0 = 0 1 = 1-96 2 = 2-96 3 = 3-96 4 = 4-96 A = 1-72</p>	<p>10 Select Distribution Count XXX = port count in increments of 12</p>	<p>11 Select Qty. of 288/216 Fiber OSP Cables 0 = 0 1 = 1-288</p>	<p>12 Select Qty. of 144 Fiber Distribution OSP Cables 0 = 0 1 = 1</p>	<p>13 Select Qty. of 96/72 Fiber Feeder OSP Cables 0 = 0 1 = 1-96 2 = 2-96 3 = 3-96 4 = 4-96 A = 1-72</p>	<p>14 Select Ground Box/Extras B = Clearview Blue Cassettes M = Ground Box with 12" Riser Clearview Blue Cassettes 1 = Clearview Blue with 1 set of 014380 2 = Clearview Blue with 2 sets of 014380 3 = Clearview Blue with ground box and 1 set of 014380 4 = Clearview Blue with ground box and 2 sets of 014380 5 = Clearview Blue with 1 set of 020060 6 = Clearview Blue with 2 sets of 020060 7 = Clearview Blue with ground box and 1 set of 020060 8 = Clearview Blue with ground box and 2 sets of 020060</p>	<p>15 Select Length 1 = 25 ft. (7.6 M) 2 = 50 ft. (15.2 M) 3 = 75 ft. (22.9 M) 4 = 100 ft. (30.5 M)</p>



FieldSmart® Fiber Distribution Hub (FDH)

432 and 864-Port Cross-Connect Cabinet



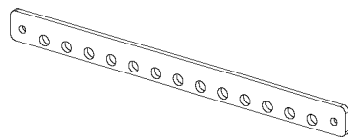
Vault Options

432 Port Cabinet

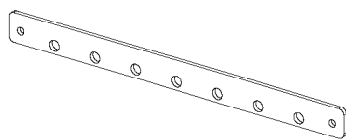
Part Number	Description
VC7B-CZP	Vault, Below Grade Clearfield, Split HDPE Lid, with Cut Out for FieldSmart Cabinets, Flared Wall, with Bolt Kit

LGX Bracket Options

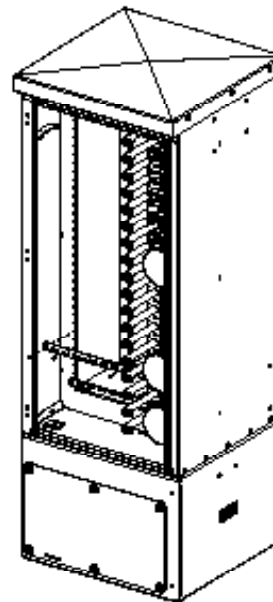
Part Number	Description
014380	Kit, LGX Bracket Install, FSC and FHD Cabinets Uses 014376 Bracket
020060	Kit, LGX Bracket Install, FSC and FDH Cabinets, Works for 1/2 Wide Modules Uses 019901 Bracket



Part Number 014380



Part Number 020060



432-Port Cabinet with LGX Brackets Installed

FieldSmart® Fiber Distribution Hub (FDH)

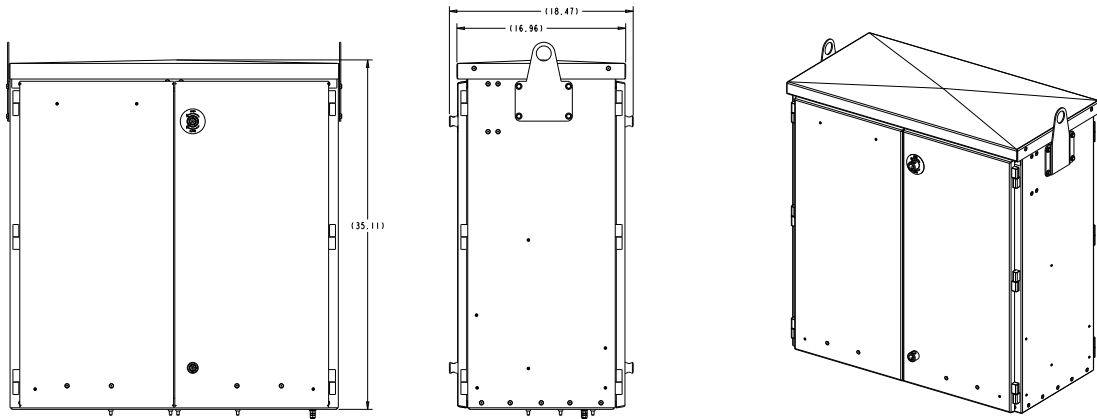
432 and 864-Port Cross-Connect Cabinet



Configured Part Numbers - 864 Port

Disclaimer/Note: Paper configurator shown is for reference only and should not be used to configure a saleable product configuration. All options shown on paper configurators may not be available or compatible with other options listed. Please contact your Clearfield representative for assistance in product configurations.

R -															
1	2	3	4	5	6	7	8	9	10	11	12	13	14	15	
1 Select Cabinet Housing Size N = 864 Cross-Connect	2 Select Cabinet Riser/Mounting A = 4" B = 12"	3 Select Connector A = SC/UPC C = SC/APC F = LC/UPC DX H = LC/APC DX	4 Select Mode / Type 1 = Singlemode – Non-Ribbon 2 = Singlemode – Ribbon	5 Select Jacket Construction B = OSP Riser E = OSP, Non-Rated F = Patch and Splice M = OSP Armored, Non-Rated	6 Select Feeder Count XXX = port count in increments of 12	7 Select Qty. of 288/216 Fiber OSP Cables 0 = 0 1 = 1-288 2 = 2-288 3 = 3-288 A = 1-216 B = 2-216	8 Select Qty. of 144 Fiber Feeder OSP Cables 0 = 0 1 = 1 2 = 2 3 = 3	9 Select Qty. of 96/72 Fiber Feeder OSP Cables 0 = 0 1 = 1-96 2 = 2-96 3 = 3-96 4 = 4-96 5 = 5-96 6 = 6-96 7 = 7-96	10 Select Distribution Count XXX = port count in increments of 12	11 Select Qty. of 288/216 Fiber OSP Cables 0 = 0 1 = 1-288 2 = 2-288 3 = 3-288 A = 1-216 B = 2-216	12 Select Qty. of 144 Fiber Distribution OSP Cables 0 = 0 1 = 1 2 = 2 3 = 3	13 Select Qty. of 96/72 Fiber Feeder OSP Cables 0 = 0 1 = 1-96 2 = 2-96 3 = 3-96 4 = 4-96 5 = 5-96 6 = 6-96 7 = 7-96	14 Select Ground Box/Extras B = Clearview Blue Cassettes M = Ground Box with 12" Riser Clearview Blue Cassettes 1 = Clearview Blue with 1 set of 014380 2 = Clearview Blue with 2 sets of 014380 3 = Clearview Blue with ground box and 1 set of 014380 4 = Clearview Blue with ground box and 2 sets of 014380 5 = Clearview Blue with 1 set of 020060 6 = Clearview Blue with 2 sets of 020060 7 = Clearview Blue with ground box and 1 set of 020060 8 = Clearview Blue with ground box and 2 sets of 020060	15 Select Length 1 = 25 ft. (7.6 M) 2 = 50 ft. (15.2 M) 3 = 75 ft. (22.9 M) 4 = 100 ft. (30.5 M)	4 = 4 5 = 5 6 = 6 7 = 7 8 = 8-96 9 = 9-96 A = 1-72 B = 2-72 C = 3-72 D = 4-72 E = 5-72 F = 6-72 G = 7-72 H = 8-72 J = 9-72 K = 10-72 M = 11-72 N = 12-72



FieldSmart® Fiber Distribution Hub (FDH) 432 and 864-Port Cross-Connect Cabinet



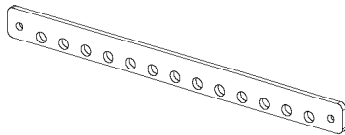
Vault Options

864 Port Cabinet

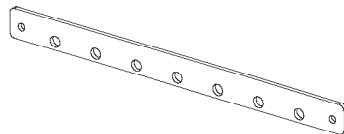
Part Number	Description
VC7B-CZP	Vault, Below Grade Clearfield, Split HDPE Lid, with Cut Out for FieldSmart Cabinets, Flared Wall, with Bolt Kit
V9B-HZP-PC	Vault, Quazite 48 x 48 x 36" (1219.20 mm x 1219.20 mm x 914.40 mm), complete split polymer concrete lid, cut out for 864 cabinets, fiberglass straight wall, requires 020538 Bolt Kit - ordered separately

LGX Bracket Options

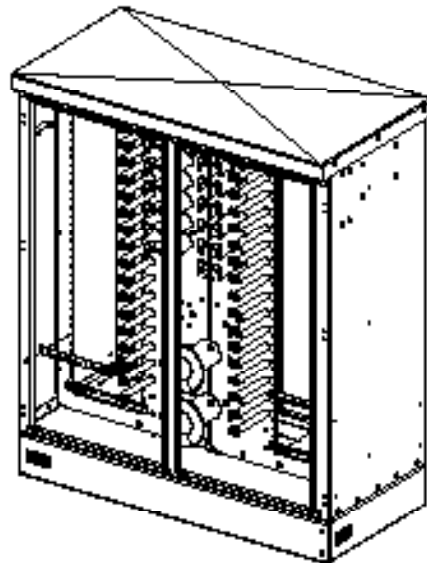
Part Number	Description
014380	Kit, LGX Bracket Install, FSC and FHD Cabinets Uses 014376 Bracket
020060	Kit, LGX Bracket Install, FSC and FDH Cabinets, Works for 1/2 Wide Modules Uses 019901 Bracket



Part Number 014380



Part Number 020060



864-Port Cabinet with LGX Brackets Installed